

AND-STROBE-KIT-1

AND Strobe Kit



Overview

Provide an additional mode of emergency notification or alert messaging by connecting the AND Strobe KIT (AND-STROBE-KIT-1) to a compatible AND IP endpoint.

Once connected to an AND IP endpoint, the AND-STROBE-KIT-1 easily integrates with VoIP phone systems, approved 3rd party software, and includes ClockWise Campus software with purchase.

Contact Tech Support if you plan to connect the strobe to the IPSIGNL-RWB. This requires the AND-PIA-2D, which will be provided at no additional cost. Contact tech@anetd.com or 847-463-2237

Description



ANALOG INTEGRATION

Activate strobe by connecting to contact closure, call button, existing security system, etc.



SOFTWARE

ClockWise Campus software included. Compatible with approved third-party software.



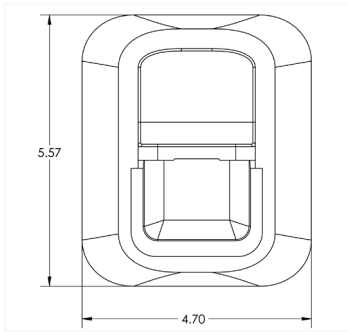
SIP INTEGRATION

SIP ring detection alert.

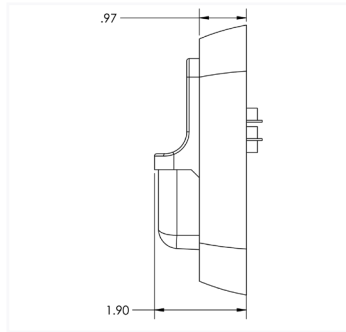
Solutions	Additional Features	Compatible Devices		Accessories
<ul style="list-style-type: none"> Code alerts Emergency notification Security monitoring 	<ul style="list-style-type: none"> Built-in web server Full multicast and broadcast support 	HD IP Display <ul style="list-style-type: none"> IPCSHD-MB 	IP Speaker with Display <ul style="list-style-type: none"> IPSWD-RWB 	<ul style="list-style-type: none"> Standard junction box required for mounting (not included). Requires 18-22 AWG stranded or solid core wire pair (not included).
		IP Speaker with HD Display <ul style="list-style-type: none"> IPSWDHD-MW 	Small IP Display <ul style="list-style-type: none"> IPCSS-RWB / MB 	
		Large IP Signboard <ul style="list-style-type: none"> IPSIGNL-RWB 	Large IP Display <ul style="list-style-type: none"> IPCSL-RWB 	
		Zone Controller <ul style="list-style-type: none"> ZONEC2 	Double-Sided IP Display <ul style="list-style-type: none"> IPCDS-RWB-U 	Color Lenses from System Sensor <ul style="list-style-type: none"> Blue, Yellow, Green, Red (not included)

Dimensions

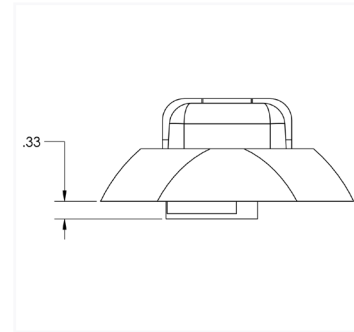
(Dimensions are subject to change)



Front



Side



Top

Specifications

Due to continual product development, specifications are subject to change without notice.

Power	Powered by connected AND device
Ethernet I/F	10/100 Mbps
Flash Rate	1 Flash per second
Luminous Intensity	15/75 Candela
Humidity Range	10 to 93% Non-condensing
Operating Temperature	32° TO 120° F (0° TO 49° C)
Dimensions	4.65" W x 5" H x 2.75" D
Weight	2 lbs (0.91 kg)
Warranty	2 Year Limited

