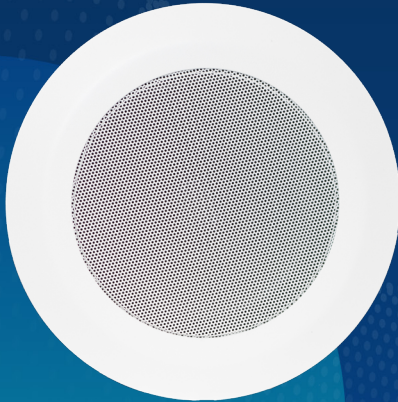


IPSCM-RMe

Round Ceiling IP Speaker



Overview

Broadcast announcements in offices, hallways, or classrooms with the PoE Round Ceiling IP Speaker. The IPSCM-RMe is enabled for the Button Kit with Microphone (BTN-KIT-MIC-ND), which facilitates two-way communication.

The IPSCM-RMe also integrates with approved 3rd party software and includes ClockWise Campus software with purchase.

Description



AUDIO

8" high-efficiency speaker.
Audible up to 10ft radius (standard 10ft ceiling).



PERIPHERAL INTEGRATION

Connect a call button.



SOFTWARE

ClockWise Campus software included.
Compatible with approved third-party software.



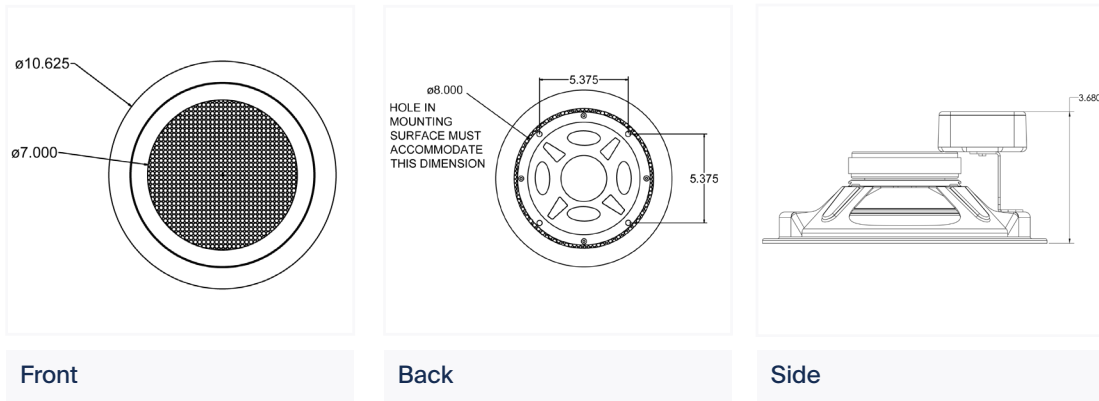
SIP INTEGRATION

SIP-enabled.
Easily interfaces with VoIP / SIP phone systems.

Solutions	Additional Features	Compatible Peripherals & Accessories
<ul style="list-style-type: none"> Paging Intercom (Requires BTN-KIT-MIC-ND) Bell scheduling Code alerts Emergency notification Sound Masking Music streaming 	<ul style="list-style-type: none"> Built-in web server Full multicast and broadcast support Requires Cat5 or Cat6 cable 	<ul style="list-style-type: none"> Call Button Kit with Mic <ul style="list-style-type: none"> BTN-KIT-MIC-ND Drywall Bracket <ul style="list-style-type: none"> IPSCM-RM-DB Drop Ceiling Bracket <ul style="list-style-type: none"> IPSCM-RM-CB Back Box for Round Speaker <ul style="list-style-type: none"> IPSCM-RM-BB

Dimensions

(Dimensions are subject to change)



Specifications

Due to continual product development, specifications are subject to change without notice.

Power Input	PoE (IEEE802.3af) 15.4 W or PoE+ (IEEE802.3at) 30.0 W
Ethernet I/F	10/100 Mbps
Speaker Size	8"
Audio Power	8 W / 16 W
Frequency Response	60 Hz - 17 kHz
Audio Payload Types	G711, A-law and μ -law
Average Sensitivity	95dB, 1W / 1 M
Supported Protocols	SIP, IPv4, IPv6, 802.1X, HTTP, SLP, TFTP, NTP, SNMPV1 & SNMPV2c, DHCP, IGMP, ICMP, TCP/IP, LLDP-MED, UDP, MDNS & MDNS-SD
General Purpose Interface	2 GPI: 1 via RJ-11, 1 via Cable Harness
Operating Temperature	14° TO 122° F (-10° TO 50° C)
Dimensions	10.5" diameter x 3.68" deep
Weight	4 lbs (1.8 kg)
Warranty	2 Year Limited

