

AND-BTN-KIT-1
includes AND-PIA-2



AND-BTN-KIT-1D
includes AND-PIA-2D

OVERVIEW

With a push of a button, the AND Button Kit (AND-BTN-KIT-1/1D) enables the initiation of a hands-free two-way communication when connected to an AND PoE IP device. This kit is compatible with IP display models only. AND-BTN-KIT-1D is required for connection to the IPSIGNL-RWB and IPCDS-RWB-U.

AUDIO FUNCTIONALITY



Intercom, page, or all-call
Trigger pre-programmed text, or
privacy mode

NOTIFICATION



Trigger alerts that activate other
devices, such as a strobe or
electronic lock

SIP INTEGRATION



Enable SIP calls
Dial out pre-programmed
internal extensions and
external phone numbers

DUAL COMMANDS



Program button push and
release / push and hold modes
Accommodates up to two
extensions or phone numbers

SOFTWARE



Diagnostic software included
Compatible with third-party
software, including InformaCast,
Revolution, and Cisco CallManager

SOLUTIONS

- Paging
- Intercom
- Emergency notification

ADDITIONAL FEATURES

- Trigger alerts that activate other devices, such as a strobe
- Built-in web server
- Operates by connecting the Peripheral Interface Adapter (included) to an AND IP device

MOUNTING

- Standard junction box required for mounting

COMPATIBLE DEVICES

AND-BTN-KIT-1

HD IP Display
IPCSDH-MB

IP Speaker with Display
IPSWD-RWB, IPSWD

Small IP Display
IPCSS-RWB

Large IP Display
IPCCL-RWB,
IPCCL-W-RWB

AND-BTN-KIT-1D

Double-Sided IP
Display
IPCDS-RWB-U

Large IP Signboard
IPSIGNL-RWB

SOFTWARE

The AND-BTN-KIT-1/1D integrates easily with third-party mass notification software, as well as SIP and VoIP phone systems, enabling a facility to take advantage of all the device capabilities. The device also comes with diagnostic software (compatible to run alongside third-party software), and an on-board web server interface, both which provide the ability to monitor and troubleshoot the ANetD devices on the network.

Third-Party Software

- InformaCast (Singlewire)
 - Revolution (Syn-Apps)
 - IPSession (IPCelerate)
 - MessageNet Systems
 - BellComander (Acro Vista)
- And more!

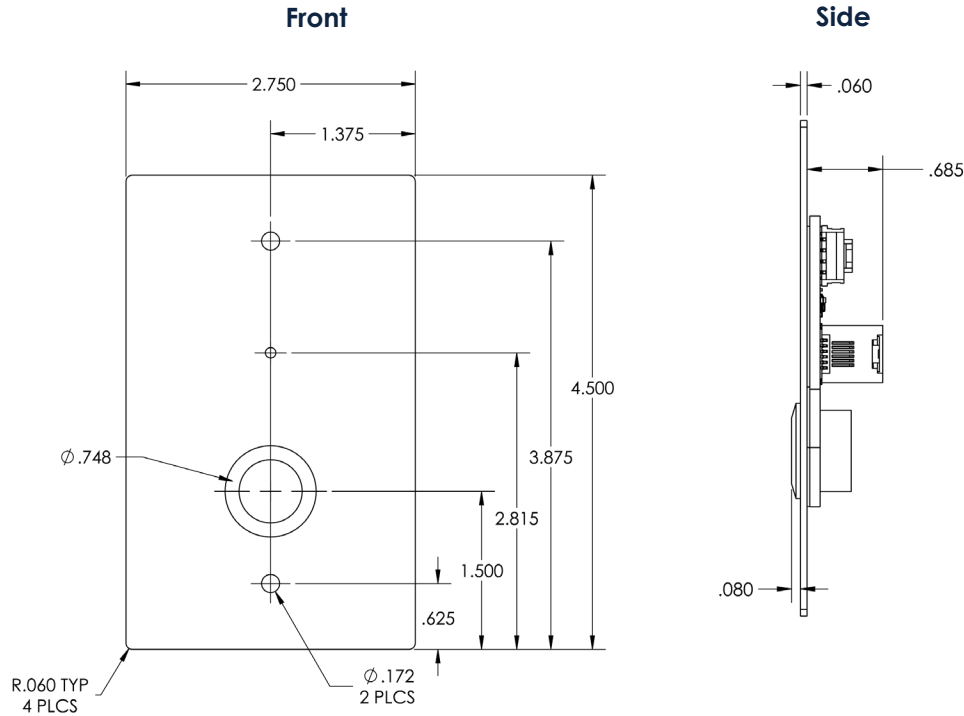
VoIP Phone Systems

- Cisco CallManager
 - Mitel
 - Avaya
 - 3CX
 - Polycom
- And more!

IPClockWise

- Diagnostic tool included with device purchase
- Complements investment in third-party software
- Developed and supported by Advanced Network Devices

DIMENSIONS



SPECIFICATIONS	BUTTON UNIT
FACEPLATE MATERIAL	16-gauge brushed stainless steel
RATING	2a@48V DC
ELECTRICAL LIFE	200,000 cycles
SWITCH FUNCTION	Momentary ON
CIRCUIT	SPST
OPERATING TEMPERATURE	-20° TO 50° C (-4° TO 131° F)
INSTALLATION DEPTH	1" (25.4 mm)
DIMENSIONS	Plate: 2.75" W 4.5" H
WEIGHT	3.8 oz
WARRANTY	2 Year Limited

SPECIFICATIONS	AND-PIA-2 and AND-PIA-2D
CONNECTION TO BUTTON	18-22 AWG stranded or solid core wire pair
SIGNAL COMBINATIONS	Audio Line In Audio Line Out 2 General Purpose Inputs 1 General Purpose Output Relay (N.O. or N.C.; dry or 12V or 15V DC, 1A max)
POWER INPUT	Powered by connected ANetD device
OPERATING TEMPERATURE	32° to 120° F (0° TO 49° C)
HUMIDITY RANGE	10 to 93% Non-condensing
DIMENSIONS	AND-PIA-2: 2.26" W x 0.79" H x 1.72" L AND-PIA-2D: 2.26" W x 1.15" H x 1.72" L
WEIGHT	0.6 oz
WARRANTY	2 Year Limited

Due to continual product development, specifications are subject to change without notice.

