



**ADVANCED**  
NETWORK DEVICES

## External Speaker Interface

Version 2.1

4/16/2019

© 2019 ADVANCED NETWORK DEVICES

3820 NORTH VENTURA DR.

ARLINGTON HEIGHTS, IL 60004

U.S.A

ALL RIGHTS RESERVED

## Proprietary Notice and Liability Disclaimer

The information disclosed in this document, including all designs and related materials, is the valuable property of Digital Advanced Network Devices and/or its licensors. Advanced Network Devices and/or its licensors, as appropriate, reserve all patent, copyright and other proprietary rights to this document, including all design, manufacturing, reproduction, use, and sales rights thereto, except to the extent said rights are expressly granted to others.

The Advanced Network Devices product(s) discussed in this document are warranted in accordance with the terms of the Warranty Statement accompanying each product. However, actual performance of each product is dependent upon factors such as system configuration, customer data, and operator control. Since implementation by customers of each product may vary, the suitability of specific product configurations and applications must be determined by the customer and is not warranted by Advanced Network Devices.

To allow for design and specification improvements, the information in this document is subject to change at any time, without notice. Reproduction of this document or portions thereof without prior written approval of Advanced Network Devices is prohibited.

## Static Electric Warning



## TROUBLESHOOTING AND ADDITIONAL RESOURCES

User Support: <https://www.anetd.com/user-support/>  
Technical Resources: <https://www.anetd.com/user-support/technical-resources/>  
AND Legal Disclaimer: <https://www.anetd.com/legal>

## OVERVIEW

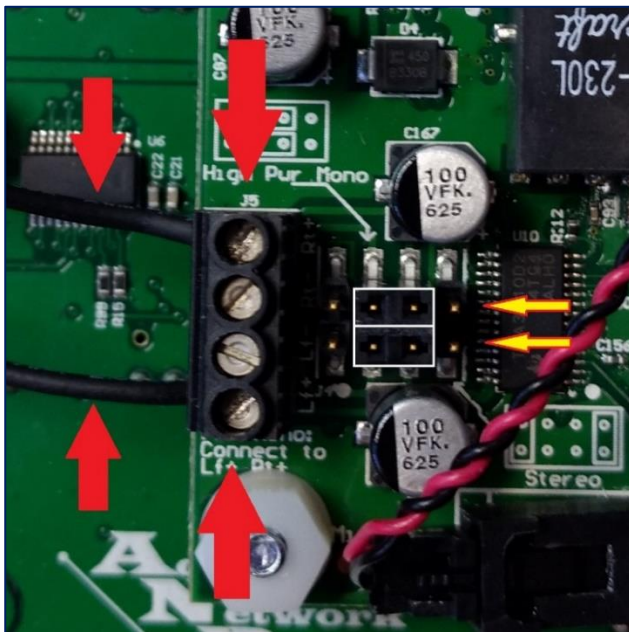
Most AND devices\*\* include a second 8-ohm speaker output. Devices with MAC address 20:46:F9:03:00:00 and newer support this second speaker connection.

Note that the audio power distributes between the two speakers in the stereo mode; it does not double the output power of the device. The second 8-ohm speaker should rate at 10W or greater continuous power, with a sensitivity around 95dB.

\*\*The IPSCM, IPSWS-SM-O, and ZONEC units do not support a second speaker. Additionally, the IPCDS-RWB, IPSCM-RM and IPSIGNL-RWB include two speakers from the factory, and therefore have no additional speaker outputs.

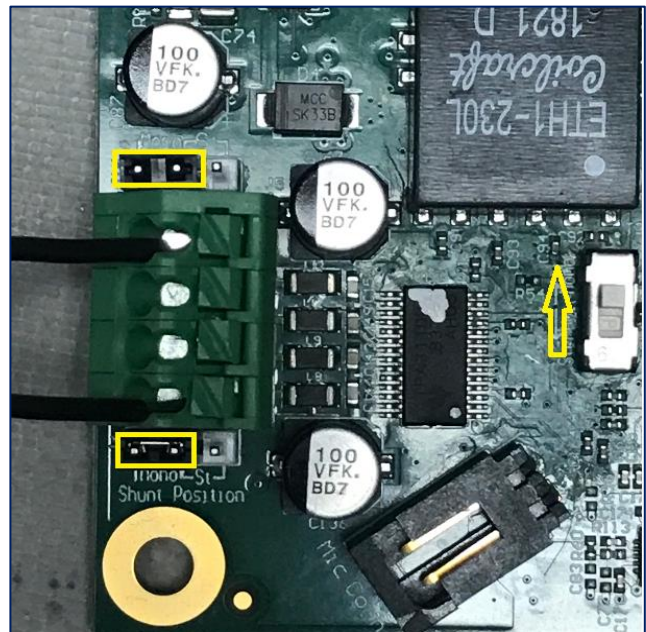
## PHYSICAL INTERFACE

By default, the included speaker connects on the main controller board as a mono output.



PCA-000056-10 Board Mono Connections

- Speaker wires attached to the outside terminals (1 and 4) of J5
- Header Jumpers (outlined in white) placed horizontal and on the center pins (indicated by yellow arrows)



PCA-000056-11 Board Mono Connections

- Speaker wires attached to the outside terminals (1 and 4) of J5
- Header Jumpers (outlined in yellow) on the left-most pins of J4 and J16
- Verify switch SW1 set in the upper position (indicated by yellow arrow)

To use a second speaker, you must reconfigure the connections. **Warning: You must disconnect power to the device before making any changes.**

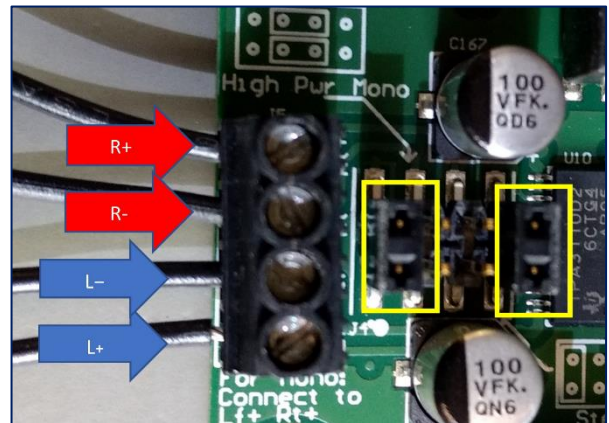
## Wiring Distance Recommendations

|                |             |
|----------------|-------------|
| #20 (AWG) wire | 25 feet max |
| #18 (AWG) wire | 35 feet max |
| #16 (AWG) wire | 50 feet max |

## CONNECTIONS FOR PCA-000056-10

To use a second speaker with the PCA-000056-10 card

- Attach speaker wires as pairs to top two terminals (1 and 2 with red arrows) and bottom two terminals (3 and 4 with blue arrows) of J5
- Place header jumpers vertical and on outside pins (outlined in yellow)



## CONNECTIONS FOR PCA-000056-11

To use a second speaker with the PCA-000056-11 card

- Attach speaker wires as pairs to top two terminals (1 and 2 with red arrows) and bottom two terminals (3 and 4 with blue arrows)
- Place the header jumpers on the right most pins of J4 and J16 (as indicated by the yellow boxes)
- Verify switch SW1 is in the lower position (shown by the yellow arrow)

