

# Smart IP Button

# IPBTN

## OVERVIEW

The Smart IP Button (IPBTN) is a Power over Ethernet (PoE) device that connects to existing data networks. Use this SIP-enabled device to trigger a notification.

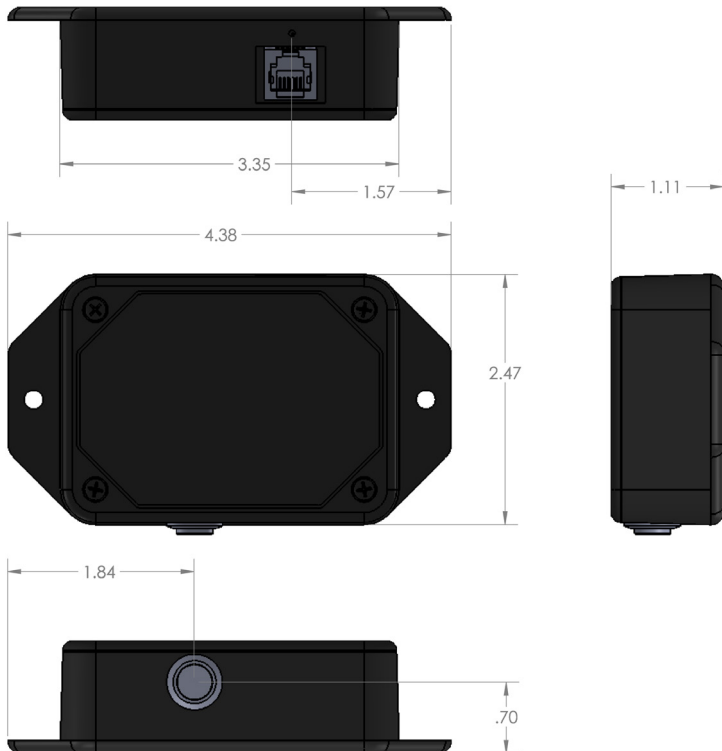
As the smallest IP button in the industry, the device easily mounts under a table, desk, or in any discrete location. The button can make a call to a preset phone or extension number.

## APPLICATIONS

The IPBTN device provides a simple and effective way to send signals or notification over the network, helpful in any industry with facilities in need of mass notification functionality:

Education  
 Healthcare  
 Banking / Corporate

Manufacturing / Industrial  
 Distribution / Transportation  
 Government / Municipal



## FEATURES

### Built-In Web Server

- Simple setup via web interface or configuration file
- Use existing data networks
- Compatible with IPClockWise and other third-party software
- SIP-enabled
- HTTP support
- Configurable remotely
- Field upgradable

### Easy Installation

- Requires PoE CAT 5 connection to network (up to 300 ft)
- Dimensions (including mounting points) 4.25" W x 1" H x 2.25" D



## CONFIGURATION OPTIONS

FUNCTION	ONBOARD SETTINGS	CONGIFIGATION FILE SETTINGS
<p><b>Default Settings</b></p> <p>Initial settings for button SIP functionality.</p>	<p>To view default settings, access web server for the device.</p> <ul style="list-style-type: none"> <li>Go to <b>Device Settings --&gt; SIP</b>.</li> <li><b>SIP Mode:</b> "Button"</li> <li><b>Push-to-Talk 1 Trigger Only:</b> "Yes"</li> </ul>	<p>If using a configuration file, you must include the following settings in the SIPConfig tag:</p> <pre>&lt;SIPConfig   SIP_mode="button"   push_to_talk_ip1_trigger_mode="1" /&gt;</pre>
<p><b>Registered SIP Call</b></p> <p>Register the Smart IP Button device to a SIP server to call a SIP phone or ring a group.</p>	<ul style="list-style-type: none"> <li>Go to <b>Device Settings --&gt; SIP</b>.</li> <li>Under <b>SIP GPIO Input Action Settings</b>, set <b>Push-to-Talk 1</b> to the SIP extension the button should call.</li> <li>Select <b>Save and Apply</b> to save changes.</li> </ul>	<p>Add the following parameter to the SIPConfig tag (values included for example):</p> <pre>&lt;SIPConfig   push_to_talk_ip1="300" /&gt;</pre>
<p><b>Push and Hold SIP Call</b></p> <p>In addition to the Push-to-Talk call, configure a second action (registered or direct SIP call) to dial a different SIP extension when holding the button for a specified time or longer.</p>	<ul style="list-style-type: none"> <li>Go to <b>Device Settings --&gt; SIP</b>.</li> <li>Under <b>SIP GPIO Input Action Settings</b>, set <b>Push-to-Talk 1 Alternate</b> to the SIP extension the button should call when held for the desired duration.</li> <li>Set <b>Push-to-Talk 1 Alternate Hold Time</b> to the desired duration (in milliseconds) to hold the button to trigger the call.</li> <li>Select <b>Save and Apply</b> to save changes.</li> </ul>	<p>Add the following parameter to the SIPConfig tag (values included for example):</p> <pre>&lt;SIPConfig   push_to_talk_ip1_alt="301"   push_to_talk_ip1_alt_ms="2000" /&gt;</pre>
<p><b>Direct SIP Call</b></p> <p>Call a SIP phone directly without registration to a SIP server.</p>	<ul style="list-style-type: none"> <li>Go to <b>Device Settings --&gt; SIP</b>.</li> <li>Under <b>SIP GPIO Input Action Settings</b>, set <b>Push-to-Talk 1</b> to the SIP extension as follows: sip:extension@server_ip_address (e.g., sip:301@10.10.7.168)</li> <li>Select <b>Save and Apply</b> to save changes.</li> </ul>	<p>Add the following parameter to the SIPConfig tag (values included for example):</p> <pre>&lt;SIPConfig   push_to_talk_ip1="sip:301@10.10.7.168" /&gt;</pre>
<p><b>HTTP Callback</b></p> <p>Send an HTTP GET to IPClockWise or a third-party software solution.</p>	<ul style="list-style-type: none"> <li>Go to <b>Device Settings --&gt; Servers</b></li> <li>Set <b>GPIO Callback URL</b> to the HTTP string to be sent.</li> <li>Select <b>Save and Apply</b> to save changes.</li> </ul> <p>See IPClockWise manual to configure an alert to trigger on this callback.</p>	<p>Add the following parameter to the GPIO_callback tag (values included for example):</p> <pre>&lt;GPIO_callback   url="http://10.10.7.168:8089/" /&gt;</pre>

## SPECIFICATIONS

Ethernet I/F	10/100 Mbps
Supported Protocols	SIP, IPv4, HTTP, SLP, NTP, DHCP, IGMP, ICMP, TCP/IP, UDP
Power Input	PoE 802.3af or PoE+ 802.3af
Operating Temperature	-10° to 50° C (14° to 122° F)
Audio Payload Types	G711, A-law and μ-law
Dimensions	4.25" W x 1" H x 2.25" D
Weight / Boxed Weight	3.4 oz (96 g) / 5.4 oz (153 g)
Warranty	2 Year Limited

