

# IPCDS-RWB-U

Double-Sided IP Display



## Overview

Enhance notification in corridors and hallways using the PoE Double-Sided IP Display (Universal Mount). Display countdown timers and announcements using multi-colored text, LED flashers, and two 4 inch speakers that can be seen and heard from both sides of the device.

The universal mount provides the option to mount from the wall or ceiling. The IPCDS-RWB-U easily integrates with VoIP phone systems, approved 3rd party software, and includes ClockWise Campus software with purchase.

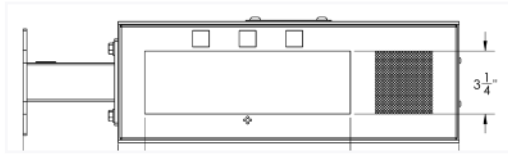
## Description

|                                                                                                                                                                                                     |                                                                                                                                                                                                      |                                                                                                                                                                                         |                                                                                                                                                                                                      |
|-----------------------------------------------------------------------------------------------------------------------------------------------------------------------------------------------------|------------------------------------------------------------------------------------------------------------------------------------------------------------------------------------------------------|-----------------------------------------------------------------------------------------------------------------------------------------------------------------------------------------|------------------------------------------------------------------------------------------------------------------------------------------------------------------------------------------------------|
|  <p><b>DISPLAY</b></p> <p>Multi-color LED scrolling text and pixel graphics. 1-line or 2-line display.</p>         |  <p><b>MICROPHONE</b></p> <p>Hands-free two-way intercom.</p>                                                       |  <p><b>FLASHER</b></p> <p>One red, one white, one blue LED flasher. Individually controlled.</p>      |  <p><b>AUDIO</b></p> <p>Two 4" high-efficiency speakers. Audio coverage up to 600ft<sup>2</sup> on each side.</p> |
|  <p><b>PERIPHERAL INTEGRATION</b></p> <p>Connect a strobe, motion sensor, electronic lock, call button, etc.</p> |  <p><b>SOFTWARE</b></p> <p>ClockWise Campus software included. Compatible with approved third-party software.</p> |  <p><b>SIP INTEGRATION</b></p> <p>SIP-enabled. Easily interfaces with VoIP / SIP phone systems.</p> |  <p><b>LIGHT SENSOR</b></p> <p>Auto-dimming display.</p>                                                        |

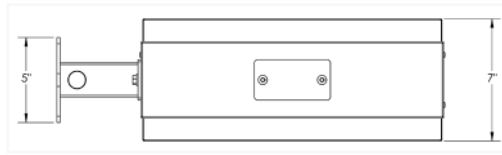
| Solutions                                                                                                                                                                                     | Additional Features                                                                                                                                                                   | Compatible Peripherals                                                                                                                                                                                                                                                                                                                                                                                                  |
|-----------------------------------------------------------------------------------------------------------------------------------------------------------------------------------------------|---------------------------------------------------------------------------------------------------------------------------------------------------------------------------------------|-------------------------------------------------------------------------------------------------------------------------------------------------------------------------------------------------------------------------------------------------------------------------------------------------------------------------------------------------------------------------------------------------------------------------|
| <ul style="list-style-type: none"> <li>• Paging</li> <li>• Intercom</li> <li>• Bell scheduling</li> <li>• Code alerts</li> <li>• Emergency notification</li> <li>• Music streaming</li> </ul> | <ul style="list-style-type: none"> <li>• Built-in web server</li> <li>• Full multicast and broadcast support</li> <li>• Requires Cat5 or Cat6 cable</li> <li>• Atomic time</li> </ul> | <ul style="list-style-type: none"> <li>• <b>Strobe Kit</b> <ul style="list-style-type: none"> <li>• AND-STROBE-KIT-1<br/>*Requires AND-PIA-2D</li> </ul> </li> <li>• <b>Call Button Kit</b> <ul style="list-style-type: none"> <li>• AND-BTN-KIT-1<br/>*Requires AND-PIA-2D</li> </ul> </li> <li>• <b>Peripheral Interface Adapter Board</b> <ul style="list-style-type: none"> <li>• AND-PIA-2D</li> </ul> </li> </ul> |

## Dimensions

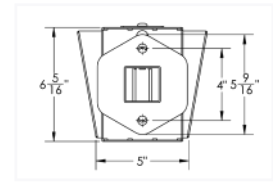
(Dimensions are subject to change)



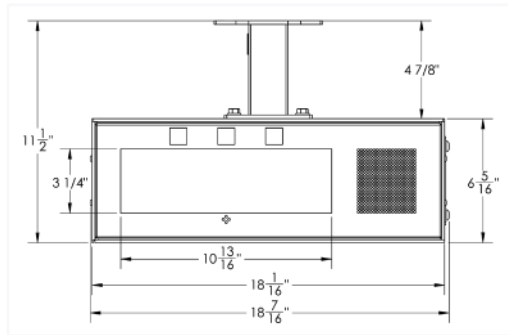
Wall Mount Front



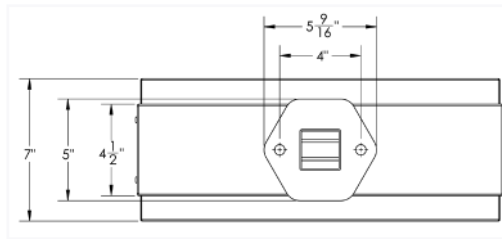
Wall Mount Top



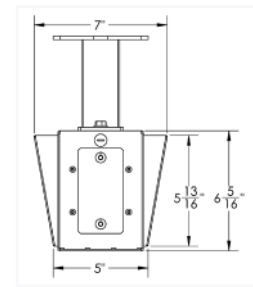
Wall Mount Side



Ceiling Mount Front



Ceiling Mount Top



Ceiling Mount Side

## Specifications

Due to continual product development, specifications are subject to change without notice.

|                           |                                                                                                                          |
|---------------------------|--------------------------------------------------------------------------------------------------------------------------|
| Power Input               | PoE (IEEE802.3af) 15.4 W or PoE+ (IEEE802.3at) 30.0 W (recommended)                                                      |
| Ethernet I/F              | 10/100 Mbps                                                                                                              |
| Speaker Size              | 4"                                                                                                                       |
| Audio Power               | 8 W / 16 W                                                                                                               |
| Frequency Response        | 150 Hz - 17 kHz                                                                                                          |
| Audio Payload Types       | G711, A-law and $\mu$ -law                                                                                               |
| Average Sensitivity       | 94dB, 1W / 1 M                                                                                                           |
| Supported Protocols       | SIP, IPv4, IPv6, 802.1X, HTTP, SLP, TFTP, NTP, SNMPV1 & SNMPV2c, DHCP, IGMP, ICMP, TCP/IP, LLDP-MED, UDP, MDNS & MDNS-SD |
| General Purpose Interface | 2 GPI via AND-PIA-2D<br>1 GPO: Contact Closure or 12 VDC / 15 VDC via AND-PIA-2D                                         |
| Audio Interface           | Analog Line Out via AND-PIA-2D<br>Analog Line In via AND-PIA-2D                                                          |
| Operating Temperature     | 14° TO 122° F (-10° TO 50° C)                                                                                            |
| Dimensions                | Wall Mount: 22.9" W x 6" H x 7" D (including mount)<br>Ceiling Mount: 18" W x 11.5" H x 7" D (including mount)           |
| Weight                    | 22 lbs (9.98 kg)                                                                                                         |
| Warranty                  | 2 Year Limited                                                                                                           |

