



## OVERVIEW

The PoE Small IP Display - Matte Black (IPCSS-RWB-MB) works well for offices, classrooms, and any average-sized room.

### AUDIO



4" high-efficiency speaker  
Audio coverage up to  
600 ft<sup>2</sup>

### MICROPHONE



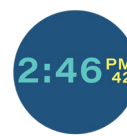
Hands-free talk back  
Monitoring

### SIP INTEGRATION



SIP-enabled  
Easily interfaces with  
VoIP/SIP phone systems

### DISPLAY



Viewable up to 40 ft  
1-line or 2-line display  
Multi-color scrolling text  
and pixel graphics

### ANALOG INTEGRATION



Connect strobes, motion  
sensors, electronic locks,  
call buttons, etc.

### SOFTWARE



Diagnostic software included  
Compatible with third-party  
software, including InformaCast,  
Revolution, and Cisco CallManager

### LIGHT SENSOR



Auto-dimming display

## SOLUTIONS

- Paging
- Intercom
- Bell scheduling
- Code alerts
- Emergency notification
- Access control
- Security monitoring
- Sound masking
- Music streaming

## ADDITIONAL FEATURES

- Built-in web server
- Full multicast and broadcast support
- Requires Cat5 or Cat6 cable
- Atomic time
- Peripheral Interface Adapter Board provides (sold separately):
  - Audio line in
  - Audio line out
  - 2 general purpose inputs
  - 1 general purpose output relay

## COMPATIBLE PERIPHERALS

**Strobe Kit**  
AND-STROBE-KIT-1

**Call Button Kit**  
AND-BTN-KIT-1

**Peripheral Interface Adapter Board**  
AND-PIA-2

## SOFTWARE

The IPCSS-RWB-MB integrates easily with third-party mass notification software, as well as SIP and VoIP phone systems, enabling a facility to take advantage of all the device capabilities. The device also comes with diagnostic software (compatible to run alongside third-party software), and an on-board web server interface, both which provide the ability to monitor and troubleshoot the ANetD devices on the network.

### Third-Party Software

- InformaCast (Singlewire)
- Revolution (Syn-Apps)
- IPSession (IPCelerate)
- MessageNet Systems
- BellComander (Acro Vista)
- And more!

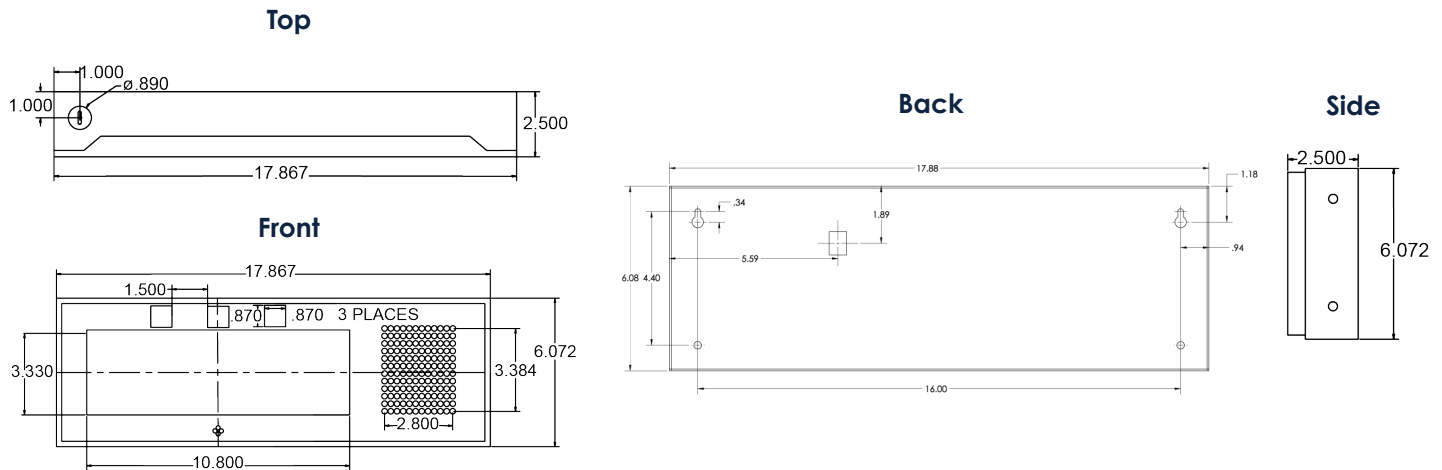
### VoIP Phone Systems

- Cisco CallManager
- Mitel
- Avaya
- 3CX
- Polycom
- And more!

### IPClockWise

- Diagnostic tool included with device purchase
- Complements investment in third-party software
- Developed and supported by Advanced Network Devices

## DIMENSIONS



## SPECIFICATIONS

## IPCSS-RWB-MB

|                       |  |
|-----------------------|--|
| ETHERNET I/F          | 10/100 Mbps  |
| AUDIO POWER           | 8 W / 16 W   |
| SPEAKER SIZE          | 4"   |
| AVERAGE SENSITIVITY   | 94dB, 1W /1M   |
| FREQUENCY RESPONSE    | 150 Hz - 17 kHz  |
| AUDIO PAYLOAD TYPES   | G711, A-law and $\mu$ -law   |
| POWER INPUT           | PoE (IEEE802.3af) 15.4 W or PoE+ (IEEE802.3at) 30.0 W  |
| SUPPORTED PROTOCOLS   | SIP, IPv4, IPv6, 802.1X, HTTP, SLP, TFTP, NTP, SNMPV1 & SNMPV2c, DHCP, IGMP, ICMP, TCP/IP, LLDP-MED, UDP, MDNS & MDNS-SD |
| OPERATING TEMPERATURE | -10° TO 50° C (14° TO 122° F)  |
| DIMENSIONS            | 17.87" W x 6.07" H x 2.5" D  |
| WEIGHT                | 5 lbs (2.27 kg)  |
| WARRANTY              | 2 Year Limited   |

*Due to continual product development, specifications are subject to change without notice.*



Advanced Network Devices | 3820 N. Ventura Dr. Arlington Hts. IL 60004  
847-463-2236 | sales@anetd.com | www.anetd.com



Model: IPCSS-RWB  
Advanced Network Devices  
www.anetd.com

Conforms to UL STD 60950-1  
Cert. to CAN/CSA STD C22.2 #60950-1  
Tested to IEC 62471  
42.5V 57.0W DC, 25.5 W Max  
802.3at PoE+