



OVERVIEW

The PoE Outdoor IP Compressed Horn (IPSWS-SM-O) functions as a durable, weather-resistant, surface-mount horn that extends the reach of audio communication to outdoor environments.

AUDIO



High-efficiency compression horn
Audio coverage up to 4,000 ft²

SOFTWARE



Diagnostic software included
Compatible with third-party software, including InformaCast, Revolution, and Cisco CallManager

OUTDOOR APPLICATIONS



Ingress protection marking IP54 (IEC standard 60529)
Solid particle protection and liquid ingress protection

SIP INTEGRATION



SIP-enabled
Easily interfaces with VoIP/SIP phone systems

SOLUTIONS

- Paging
- Intercom
- Bell scheduling
- Code alerts
- Emergency notification
- Music streaming

ADDITIONAL FEATURES

- Built-in web server
- Full multicast and broadcast support
- Requires Cat5 or Cat6 cable
- Indoor Use Only
 - 2 general purpose inputs
 - 1 general purpose output

SOFTWARE

The IPSWS-SM-O integrates easily with third-party mass notification software, as well as SIP and VoIP phone systems, enabling a facility to take advantage of all the device capabilities. The device also comes with diagnostic software (compatible to run alongside third-party software), and an on-board web server interface, both which provide the ability to monitor and troubleshoot the ANetD devices on the network.

Third-Party Software

- InformaCast (Singlewire)
 - Revolution (Syn-Apps)
 - IPSession (IPCelerate)
 - MessageNet Systems
 - BellComander (Acro Vista)
- And more!

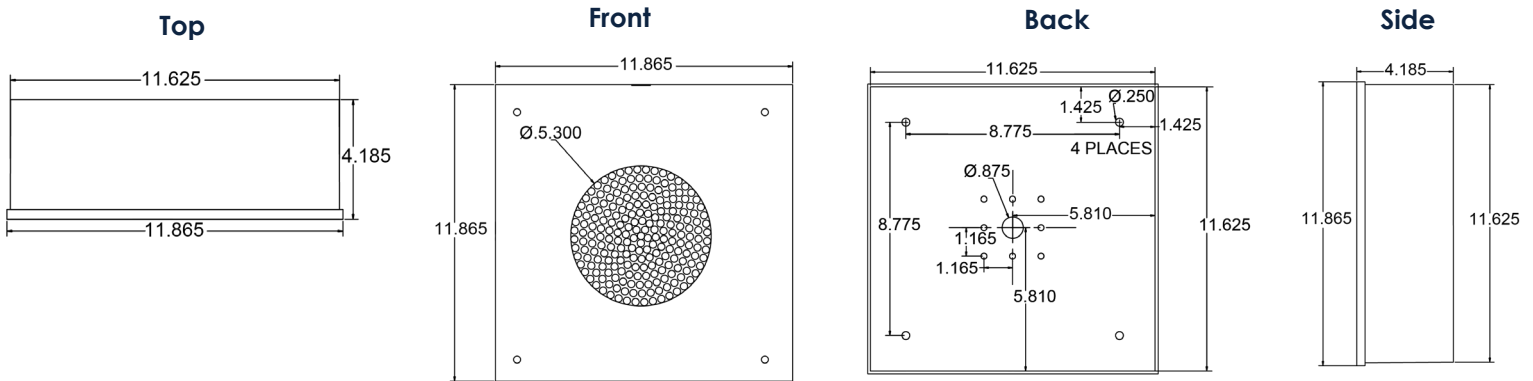
VoIP Phone Systems

- Cisco CallManager
 - Mitel
 - Avaya
 - 3CX
 - Polycom
- And more!

IPClockWise

- Diagnostic tool included with device purchase
- Complements investment in third-party software
- Developed and supported by Advanced Network Devices

DIMENSIONS



SPECIFICATIONS

IPSWS-SM-O

ETHERNET I/F	10/100 Mbps
AUDIO POWER	8 W / 16 W
AVERAGE SENSITIVITY	104dB, 1W / 1M
FREQUENCY RESPONSE	600 Hz - 14 kHz
AUDIO PAYLOAD TYPES	G711, A-law and μ -law
POWER INPUT	PoE (IEEE802.3af) 15.4 W or PoE+ (IEEE802.3at) 30.0 W
SUPPORTED PROTOCOLS	SIP, IPv4, IPv6, 802.1X, HTTP, SLP, TFTP, NTP, SNMPV1 & SNMPV2c, DHCP, IGMP, ICMP, TCP/IP, LLDP-MED, UDP, MDNS & MDNS-SD
GENERAL PURPOSE I/O	2 inputs / 1 output (indoor use only)
OPERATING TEMPERATURE	-10° TO 50° C (14° TO 122° F)
DIMENSIONS	11.87" W x 11.87" H x 4.19" D
WEIGHT	10 lbs (4.54 kg)
WARRANTY	2 Year Limited

Due to continual product development, specifications are subject to change without notice.



Advanced Network Devices | 3820 N. Ventura Dr. Arlington Hts. IL 60004
847-463-2236 | sales@anetd.com | www.anetd.com



Model: IPSWS-SM-O
Advanced Network Devices
www.anetd.com
Conforms to UL STD:
60950-1, 60950-22
Cert. to CAN/CSA STD C22.2:
#60950-1, #60950-22
42.5V-57.0V DC, 25.5 W Max
802.3at PoE+