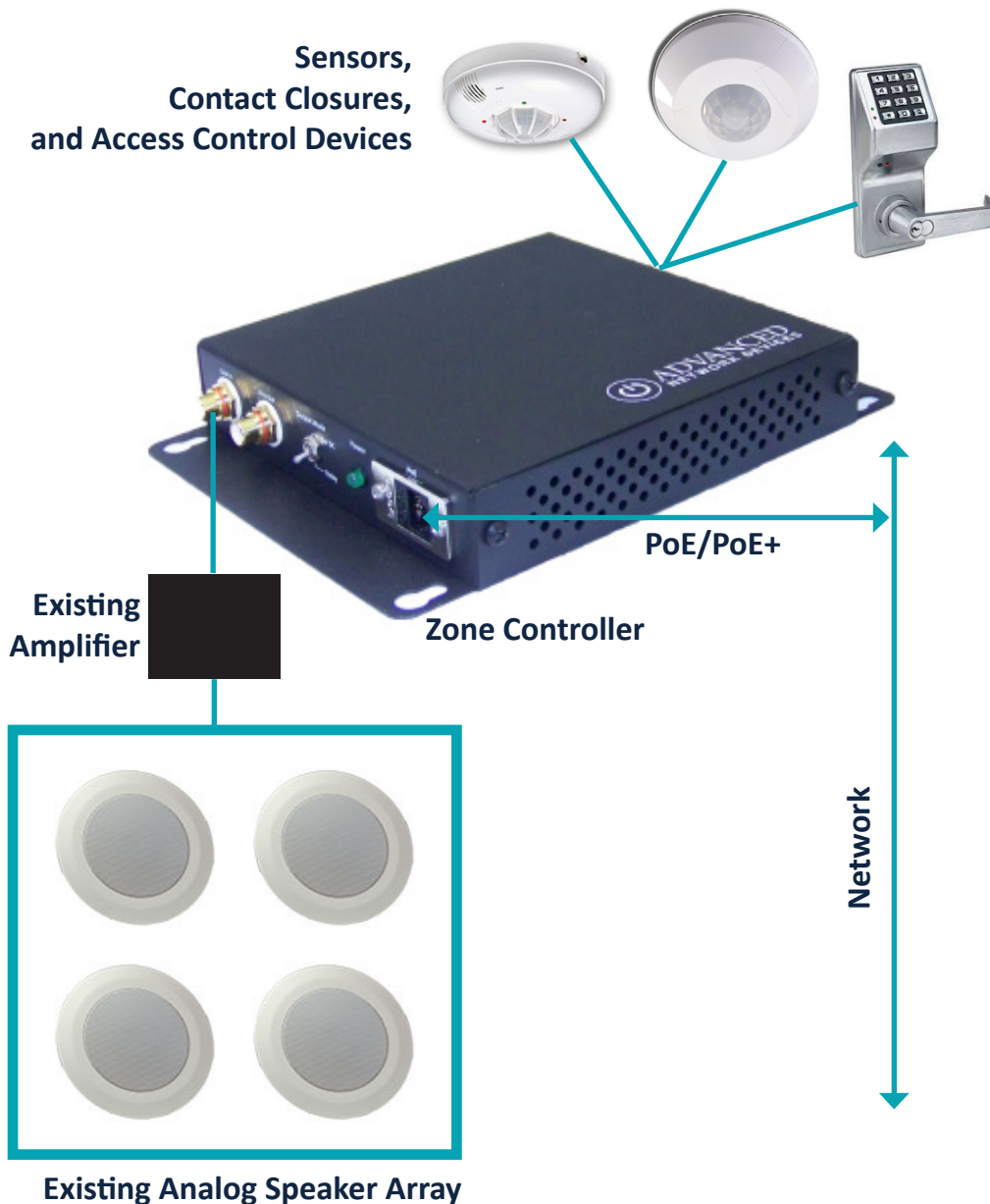


Zone Controller

ZONEC2

OVERVIEW

The Zone Controller connects to your existing amplifier to make your existing analog speakers IP-enabled. Along with AND Power over Ethernet (PoE/ PoE+) devices, all IP-enabled devices connect to existing data networks, allowing simultaneous broadcasting to both phones and speakers.



FEATURES

Built-In Web Server

- Send broadcast messages to IP-enabled devices from the web page
- Configurable volume
- Device Status
- Field upgradable

Easy Installation

- Requires PoE CAT 5 connection to network (up to 300 ft)
- No power cord needed
- Connect to external amplifier
- Provides a complete solution for larger areas with multiple speakers
- Green "Power On" indicator
- Wall mount available (not included)

Multicast

- Full multicast and broadcast support
- Send audio to individual, multiple, or all devices simultaneously (when combined with additional AND zone controllers)

Line In / Line Out

- Unbalanced line level audio in/out via RCA connectors
- Line Out power level up to 2 Vpp
- 2 general purpose inputs
- 1 general purpose output with option to provide 12V DC power
- 8-ohm speaker output
- Microphone input

Sound Masking

- Generate configurable pink noise via push button or program

SOFTWARE OPTIONS

AND devices can operate standalone. They do not require external software for atomic timekeeping or sending text messages from the device's web server. However, you can use application software to take advantage of the device capabilities, and then integrate the devices into applications like a mass notification system, a phone network, etc.

AND IPClockWise (Developed and Supported by AND)

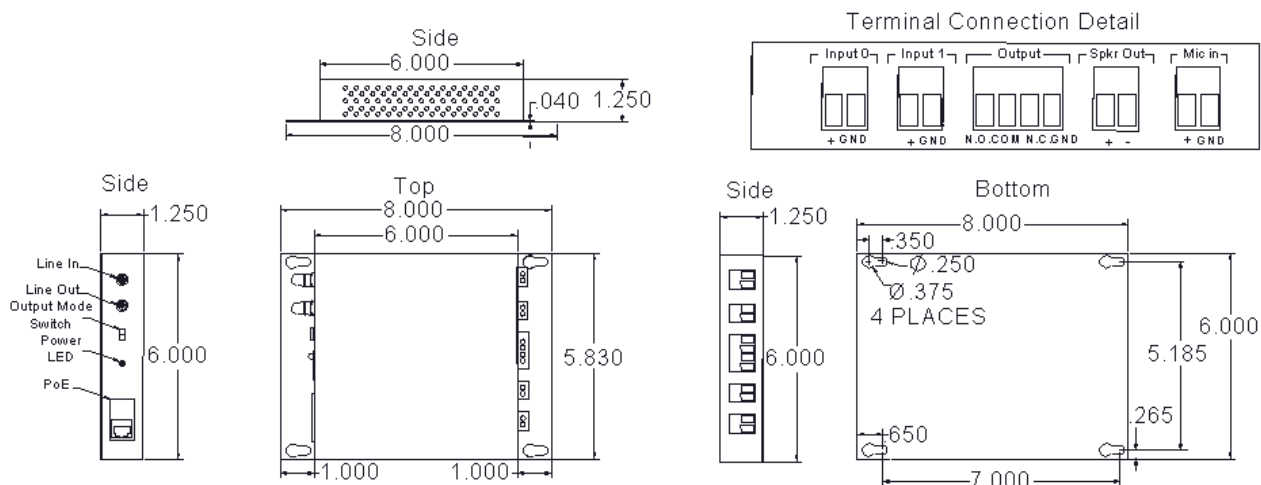
- Instantly finds and provides controls for all of your AND devices.
- Provides a clock / alarm feature that supports scheduling events, alarms, stopwatch, and timer, with an optional sound library.
- Sends news / RSS / Twitter / weather / stock feeds, etc. to AND devices with a display.

Third-Party Software

- AND maintains a long-standing relationship with various third party software providers.
- AND devices support Informacast (Singlewire), Revolution (Syn-Apps), IPSession (IPCelerate), MessageNet Systems, BellComander (Acro Vista), and others.
- AND devices will work with SIP-compatible products / PBX, such as Asterisk, 3CX, ShoreTel, etc.

NOTE: AND IPClockWise and third-party software can run concurrently.

DIMENSIONS



SPECIFICATIONS

Ethernet I/F	10/100 Mbps
Power Input	PoE (IEEE802.3af) 15.4 W or PoE+ (IEEE802.3at) 30.0 W
Supported Protocols	SIP, IPv4, HTTP, SLP, TFTP, NTP, SNMPV1 & SNMPV2c, DHCP, IGMP, ICMP, TCP/IP, UDP, MDNS & MDNS-SD
Operating Temperature	0° to 50° C (32° to 122° F)
Dimensions	8.0" W x 1.25" H x 6.0" D
Weight	1 lb 8 oz (680 g)
Warranty	2 Year Limited